

**davide groppi**

HANDBOOK NEWS 2017 - US

## **Nuove Esperienze 2017**

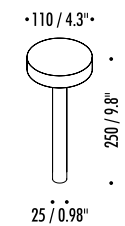
“This collection represents a kind of rebirth for me, in the sense that it has felt like we have found a new way of creating and interpreting light. The ideas for these new lamps arrived as if by grace, after a long period of gestation. This period was necessary to be able to re-evaluate and appreciate more deeply the primordial aspect of my need to make lamps. On one hand, I would like simply to make beautiful light. On the other, I need to communicate using light, narrating stories and creating metaphors. I have done all this focusing on simplicity, but at the same time making use of creativity and a spirit of invention, which have always been a big part of my work and made it unique”.

**Davide Groppi**

This is an evolution of our Tetatet lamp.

We have put into use a rechargeable Lithium battery that allows the support column of the lamp to be practically "invisible". The head of the lamp, where the battery is located, is lightweight and appears to be floating in air. The effect is innovative and magical. The support column is made of methacrylate. The Tetatet Flûte lamp fits perfectly with an elegant "mis en place", bestowing beauty and spontaneity to any table.





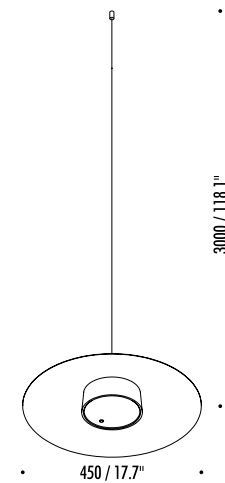
18970303	MATT WHITE	2 W LED - 3000K - 237 lm RECHARGEABLE LITHIUM BATTERY - MICRO USB 5 V DC - Li-Poly 3900 mAh CLEAR STEM - MAGNETIC BASE - CHARGER INCLUDED BATTERY LIFE TEN HOURS

It's a new kind of suspension lamp with a rechargeable battery. The light source is applied magnetically to a metal dish that hangs from the ceiling using a very thin steel wire. The effect is delicately elegant. QuiQuoQua allows light to be taken where it is needed, without the limitation of electric wires. QuiQuoQua: the light where you want it.

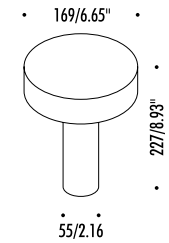
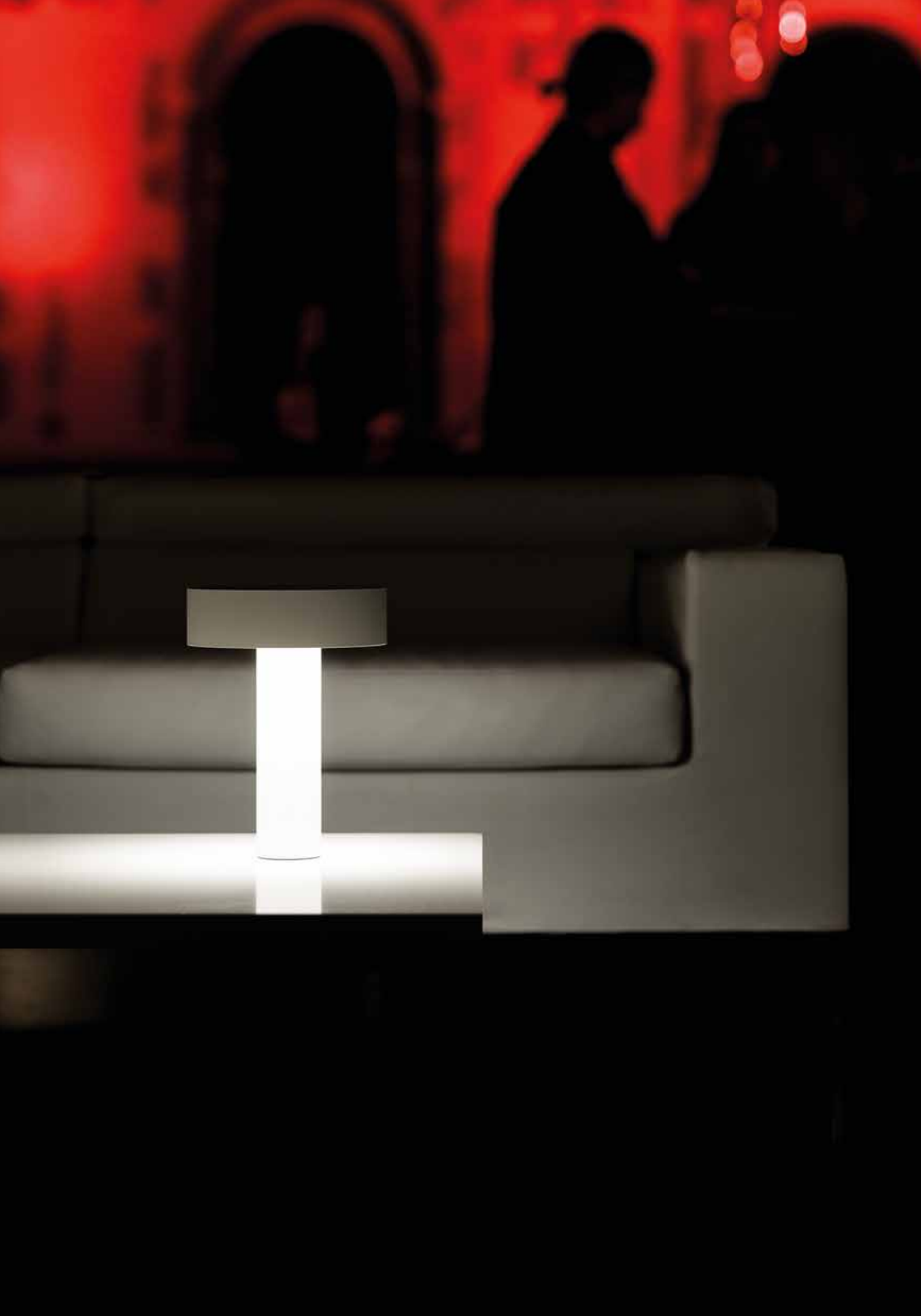


DESIGN DAVIDE GROPPI - 2017  
SUSPENSION LAMP - METAL - METHACRYLATE

QuiQuoQua



18940303	MATT WHITE	5 W LED - 3000K - 525 lm RECHARGEABLE LITHIUM BATTERY 12 V DC - Li-Poly 5800 mAh MAGNETIC LED MODULE - BLACK LED MODULE CHARGER INCLUDED - BATTERY LIFE TEN HOURS



19280303	MATT WHITE	2 W LED - 3000K - 237 lm 5 W AUDIO - 50 / 20000 Hz RECHARGEABLE BATTERY 12 V NIMH 3700 mAh MAGNETIC BASE - CHARGER INCLUDED BATTERY LIFE: 12 HOURS FOR LIGHT ONLY AND 30 HOURS FOR AUDIO ONLY AT MEDIUM VOLUME

COMPULSORY ACCESSORY

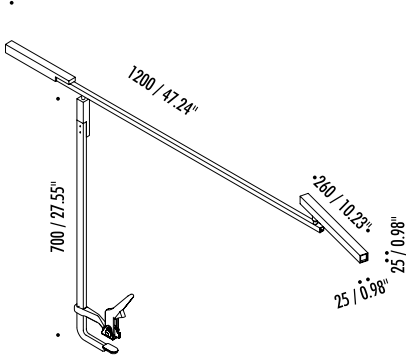
19270003	STANDARD	PoPuP MAESTRO ROUTER - 3 W

This is a newer version of our PoPuP lamp that allows for synchronised listening of the same music from different PoPuP ORCHESTRA lamps, thanks to the utilisation of a router.

A “pop” project. Besides being a perfect lighting tool, it is also a “ready-made” or conceptual reinterpretation. Thanks to the support of a large lever clamp of the type you might find in a workshop, the light source has been positioned far from where the lamp is attached to the table, utilising three adjustable arms. Morsetto is a table lamp, but at the same time, it is also a very lightweight, suspended light. It’s a lamp that appears to be in flight, like a bird in the forest. Morsetto can be positioned, balanced and turned, but overall it produces a beautiful light on the table.





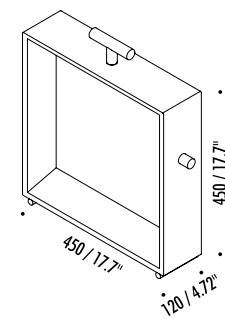


19070403	MATT BLACK	100 / 240 V - 50 / 60 Hz - 12 W LED - 3000K - 1000 lm BLACK CABLE - RED LEVER CLAMP ADJUSTABLE - DIMMER

"Daughter of the morning". Tomoko is the result of lengthy research in the field of light and well-being and the benefits of natural light reproduced artificially. A ray of light appears to shine into a room from a window, resting casually on the surface of a lamp and lighting the surrounding area. It is possible to re-create sunlight from different times of the day by turning a knob. The light produced can go from cold light (5000K), similar to that generated by the sun at midday, to warm light (2000K), similar to that at dawn. The knob can be used both to change the light temperature and to dim the light.

DESIGN AMEDEO G. CAVALCHINI WITH NOEMI LATTANZIO - 2017  
TABLE LAMP - METAL - METHACRYLATE - WOOD

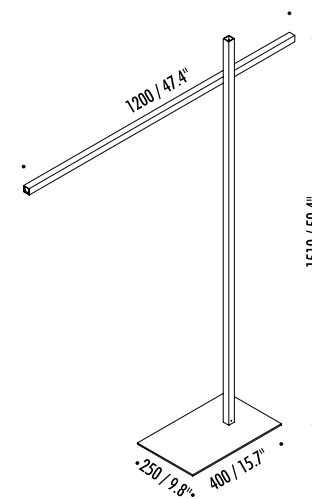
TOMOKO



19290303	MATT WHITE	220 / 240 V - 50 / 60 Hz
		50 W - 2000K - 4700 lm + 40 W - 5000K - 5880 lm
		WHITE CABLE - ADJUSTABLE LIGHT FROM WARM WHITE COLOUR TO COOL WHITE COLOUR
		DIMMER

Hashi is a floor lamp conceived to provide direct light in a simple and flexible manner. Its principle component is the pivot point between two "chopsticks" (Hashi) that serve as light sources. The two sticks can be positioned in different ways, creating a strong, graphic effect in space. Particular care has been given to the proportions. The sticks always appear lightweight and balanced.





19030403	MATT BLACK	220 / 240 V - 50 / 60 Hz - 12 W LED - 3000K - 1000 lm BLACK CABLE - ADJUSTABLE - DIMMER

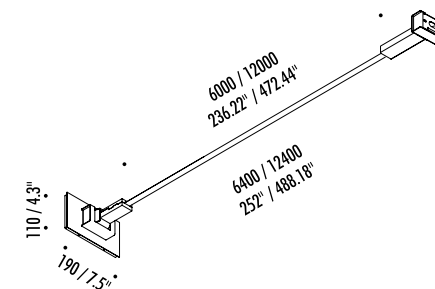
The **Infitino** and **Flash** projects are all part of a system. It's a system that breaks down the actual lamp and light source, turning it into something else, leaving only a trace, a line and then not even that. It becomes, finally, a concept: light only. This project pays homage to the art of Lucio Fontana and his spatial concepts. The graphic force of this system is surprising. It can be integrated into space, but at the same time it becomes part of that space. Infitino and Flash are available in lengths of 6 and 12 metres.

**Infitino.** It is continuous light. A thin strip made of stainless steel a mere 18 mm in width "cuts" the space to produce indirect light. It is possible to adapt Infitino to various situations, stretching it from wall to wall or ceiling to floor, according to one's taste or needs. Infitino: essence and absence.

**Flash\***. It is Infitino turned around, creating direct light that flows downward from the light source. The stainless steel strip, 9 mm in width, can be stretched up to 12 m in length. Flash is the ideal solution for direct illumination of spaces with very high ceilings.

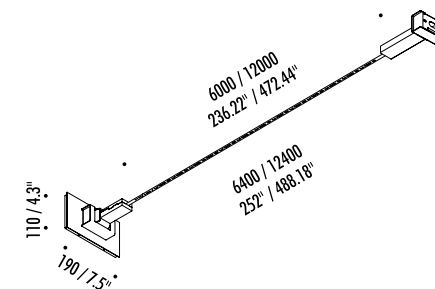
\*Flash pays homage to the famous comic book superhero of the same name who can run seven times the speed of light.





18600403	MATT BLACK	INFINITO 6 24 V DC - MAX 40 W LED - 3000K - 4400 lm LED MODULE 6 m LONG - CAN BE CUT INTO ANY DESIRED LENGTH WHITE WALL BACK PLATE COMPULSORY POWER SUPPLY KIT NOT INCLUDED - INSTALLATION OPTIONS SEE PAGE 30 - 31

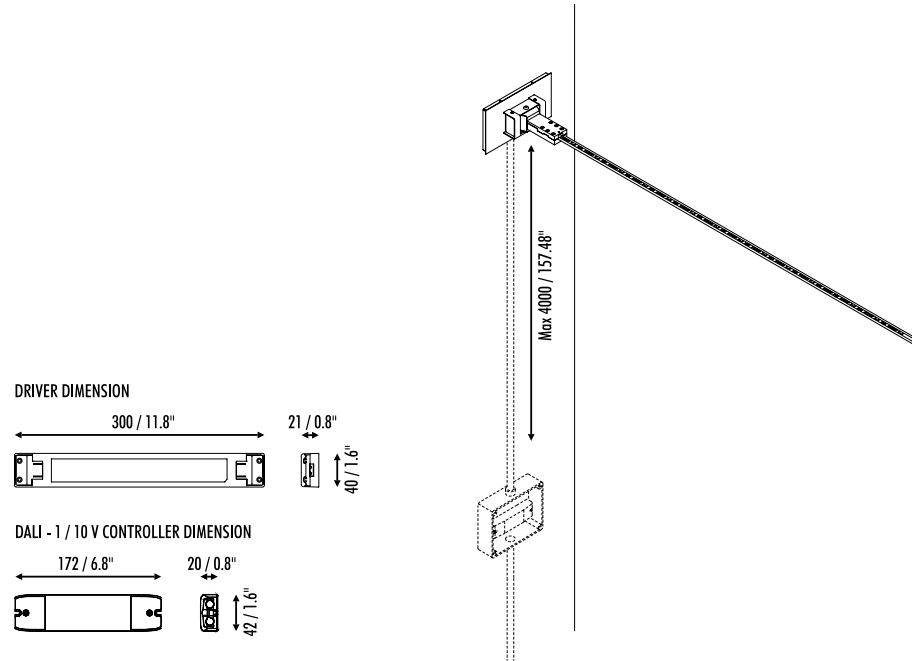
18820403	MATT BLACK	INFINITO 12 24 V DC - MAX 90 W LED - 3000K - 8800 lm LED MODULE 12 m LONG - CAN BE CUT INTO ANY DESIRED LENGTH WHITE WALL BACK PLATE COMPULSORY POWER SUPPLY KIT NOT INCLUDED - INSTALLATION OPTIONS SEE PAGE 30 - 31



19000003	STANDARD	FLASH 6 24 V DC - MAX 40 W LED - 3000K - 4400 lm LED MODULE 6 m LONG - CAN BE CUT INTO ANY DESIRED LENGTH WHITE WALL WHITE BACK PLATE COMPULSORY POWER SUPPLY KIT NOT INCLUDED - INSTALLATION OPTIONS SEE PAGE 30 - 31

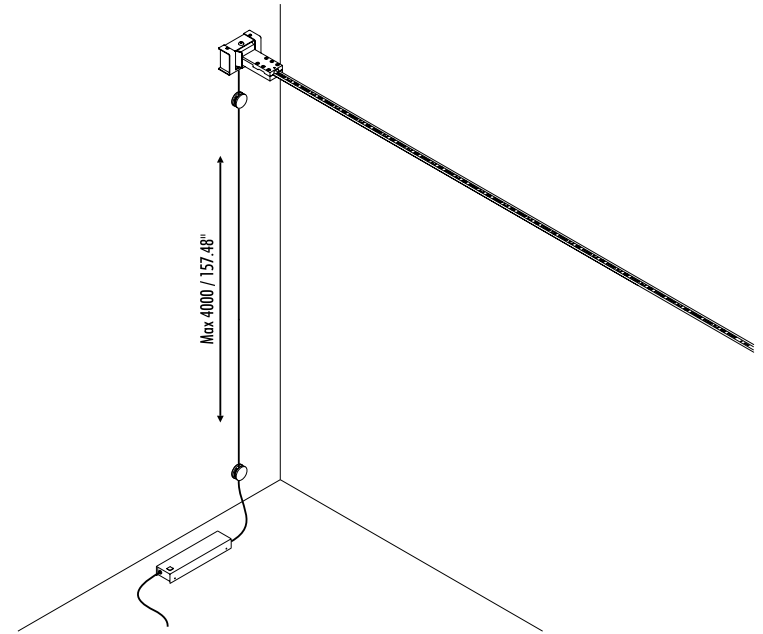
19240003	STANDARD	FLASH 12 24 V DC - MAX 90 W LED - 3000K - 8800 lm LED MODULE 12 m LONG - CAN BE CUT INTO ANY DESIRED LENGTH WHITE WALL WHITE BACK PLATE COMPULSORY POWER SUPPLY KIT NOT INCLUDED - INSTALLATION OPTIONS SEE PAGE 30 - 31





19520003	STANDARD	REMOTE POWER SUPPLY KIT DALI / PUSH DIMMABLE INPUT 120 V - 50 / 60 Hz - OUTPUT 24 V DC - 10 / 96 W

19530003	STANDARD	REMOTE POWER SUPPLY KIT 1 - 10 V DIMMABLE INPUT 120 V - 50 / 60 Hz - OUTPUT 24 V DC - 10 / 96 W



19020403	MATT BLACK	POWER SUPPLY WITH PLUG KIT - DIMMER INPUT 120 V - 50 / 60 Hz - OUTPUT 24 V DC TWO CLAMPS INCLUDED

WIRELESS	
TETATET Flûte	3
QuiQuoQua	7
PoPuP ORCHESTRA	11
TABLE	
TETATET Flûte	3
PoPuP ORCHESTRA	11
MORSETTO	13
TERRA / FLOOR	
HASHI	19
TOMOKO	17
SUSPENSION	
QuiQuoQua	7
WALL	
INFINITO	27
FLASH	33

[davidegropi.com](http://davidegropi.com)